

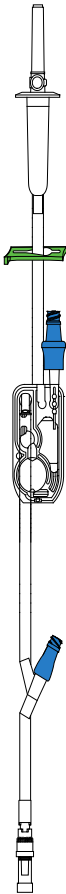
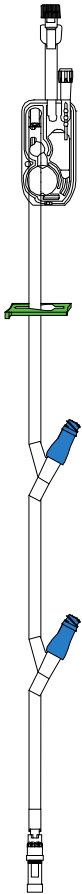
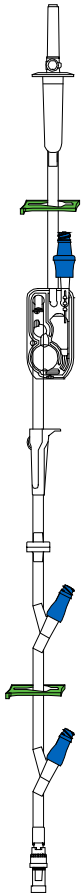
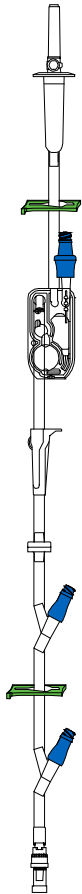
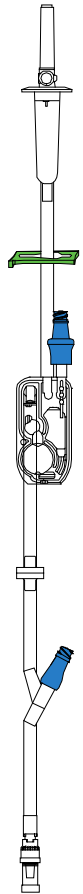


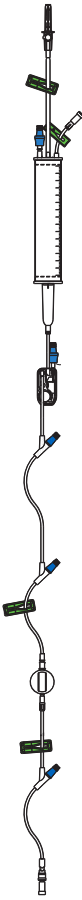


ICU Medical Plum™ Infusion Systems

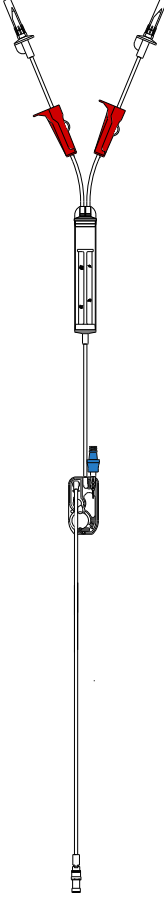
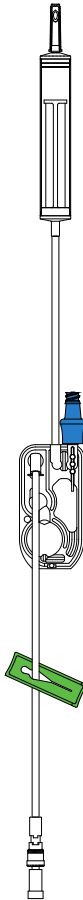
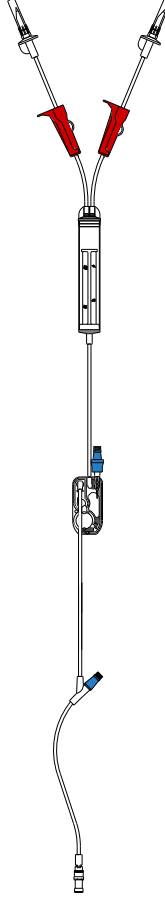
# PlumSet™ Reference Guide



## Primary Sets

Product ID	15247-28	12338-28	14951-88	15951-28	19732-01
Products					
Length (inches)	104	76	104	128	104
DPM (drops/mL)	15	N/A	15	15	60
Approximate Priming Volume (mL)	12	6.8	19	23	13
Distal Priming Volume (mL)	6.7	6.8	14	18	7
Special Features	Minimal Distal Priming Volume	Syringe Delivery From Both Ports	Backcheck Valve	Longer Distal Segment	Microdrip Drip Chamber
Number of Y-Sites	1	2	2	2	1
Tubing Material	PVC, Non-DEHP	PVC, Non-DEHP	PVC, Non-DEHP	PVC, Non-DEHP	PVC, Non-DEHP
Tubing Type	Microbore	Microbore	Macrobore	Macrobore	Macrobore

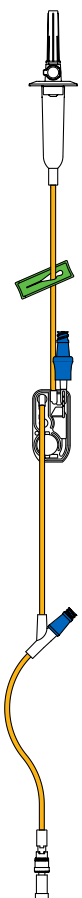

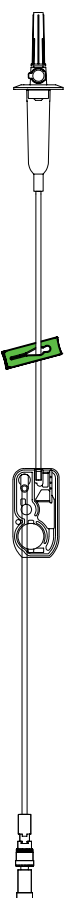
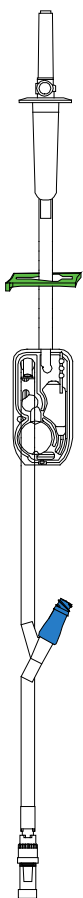
Burette Sets			
Product ID	14271-28	14273-29	14955-88
Products			
Length (inches)	140	114	125
Burette Size	150	150	150
DPM (drops/mL)	60	60	60
Approximate Priming Volume (mL)	13	12	13
Distal Priming Volume (mL)	9	7.5	8
Special Features	0.2 µm Filter	Microdrip Drip Chamber	Multiple Ports, Backcheck Valve
Number of Y-Sites	3	2	3
Tubing Material	PVC, Non-DEHP	PVC, Non-DEHP	PVC, Non-DEHP
Tubing Type	Microbore	Microbore	Microbore

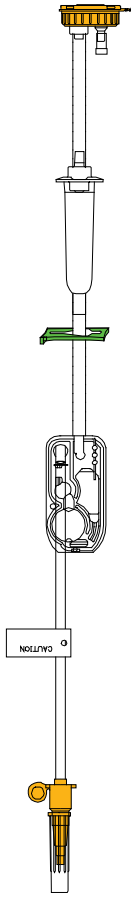
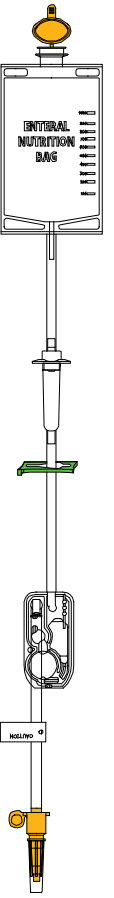
Blood Sets*		
14212-28	14211-28	14220-28
		
110	110	110
N/A	N/A	N/A
20	10	20
49	52	52
15	16	16
200 µm Filter in the Drip Chamber	200 µm Filter in the Drip Chamber	200 µm Filter in the Drip Chamber
N/A	N/A	1
PVC, Non-DEHP	PVC, Non-DEHP	PVC, Non-DEHP
Macrobore	Macrobore	Macrobore

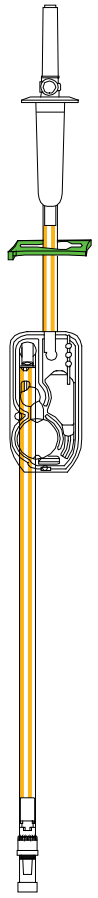
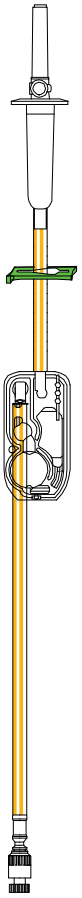
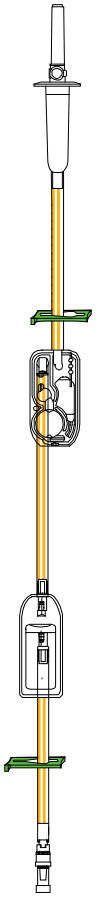
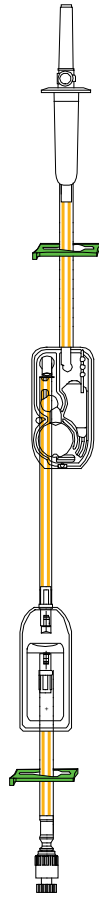
\* Not indicated for use with Plum Duo™ pumps.



## Specialty Sets

Product ID	15339-28	15248-28	14018-04	14019-04
Products				
Length (inches)	103	107	107	107
DPM (drops/mL)	15	15	15	15
Approximate Priming Volume (mL)	11	20	19	19
Distal Priming Volume (mL)	5.6	14	14	14
Special Features	–	–	Single Channel Cassette	–
Number of Y-Sites	1	N/A	N/A	1
Tubing Material	Orange PE Lined, Non-DEHP	PE Lined, Non-DEHP	PVC, Non-DEHP	PVC, Non-DEHP
Tubing Type	Microbore	Macrobore	Macrobore	Microbore

Enteral Sets*		
Product ID	14258-28	14260-28
Products		
Length (inches)	98	103
DPM (drops/mL)	15	15
Approximate Priming Volume (mL)	18	18
Distal Priming Volume (mL)	13	12
Special Features	Single Channel Cassette, Proximal Orange Cap	Single Channel Cassette, Proximal Container Bag with Orange Cap
Number of Y-Sites	N/A	N/A
Tubing Material	PVC, Non-DEHP	PVC, Non-DEHP
Tubing Type	Macrobre	Macrobre

Epidural Sets*				
Product ID	14261-28	24006-01	14953-88	24007-01
Products				
Length (inches)	107	107	107	107
DPM (drops/mL)	15	15	15	15
Approximate Priming Volume (mL)	13	13	15	15
Distal Priming Volume (mL)	3.3	6.5	9.5	9.3
Special Features	Yellow Striped Tubing, Single Channel Cassette	Yellow Striped Tubing, NRFit Single Channel Cassette	Yellow Striped Tubing, 0.2 µm Filter, Single Channel Cassette	Yellow Striped Tubing, 0.2 µm Filter, Single Channel Cassette, NRFit
Number of Y-Sites	N/A	N/A	N/A	N/A
Tubing Material	PE Lined, Non-DEHP	PE Lined, Non-DEHP	PE Lined, Non-DEHP	PE Lined, Non-DEHP
Tubing Type	Microbre	Microbre	Microbre	Microbre

\* Not indicated for use with Plum Duo™ pumps.