

Gripper™ Port Access Needle



Indications

This product is indicated for the administration into or withdrawal of fluids from implanted ports.

Legal Manufacturer

ICU Medical, Inc.
6000 Nathan Lane North
Minneapolis, MN 55442 USA

Manufacturing Site Name and Address

ICU Medical Healthcare Manufacturing S.A. de C.V.
Avenida Calidad No. 4
Parque Industrial Internacional Tijuana
Tijuana, B.C.C.P. Baja CA 22425 Mexico

Country of Origin

Mexico

Animal Origin

None of the devices listed on this product family incorporate any substances that are derived from animal tissues as per Commission Regulation (EU) 722/2012.

Sterilisation Method

Ethylene Oxide

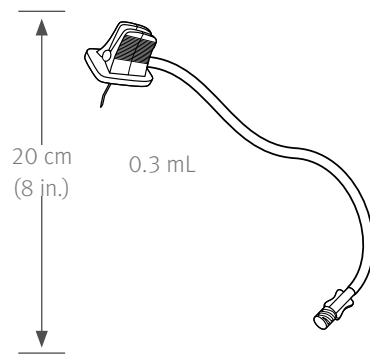
Shelf-Life

A 5-year expiration date is assigned to the product as long as the packaging is undamaged and unopened, based on accelerated aging stability shelf-life testing and real-time aging.

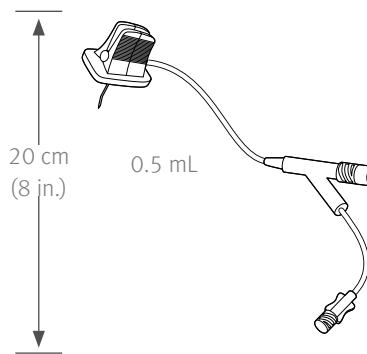
Not manufactured with DEHP plasticiser

MR conditional up to 3 Tesla

Priming Volume



Without Y-Site Tubing



Y-Site Tubing

Labelling and Packaging

Container Type	Length	Width	Height
Unit Pack (1 unit)	101 mm	145 mm	25 mm
Shelf Pack	205 mm	92 mm	148 mm
Case Pack	492 mm	422 mm	406 mm

Component Compositions

Clip	Acetal
Foam	EVA
Base & Pivot Arm	Acrylic Copolymer
Cannula	304 SS
Cannula Protector	LDPE
Tubing	PVC, TOTM
Clamp	Acetal
Female Luer	PVC, TOTM
Non-Vented Male Cap	ABS

Product Range and Specifications

Gripper Port Access Needles				
Not made with natural rubber latex, non-coring, non-siliconised, removable contoured grip, cushioned needle platform, 20 cm (8 in.) extension tubing with or without Y-site				
Y-site	Length	Reorder No.	GTIN	Unit
Removable injection cap on Luer-lock Y-site				
22 gauge	16 mm (5/8 inch)	21-2938-24	(01) 3 0610586 02321 1	12/box
	19 mm (3/4 inch)	21-2939-24	(01) 3 0610586 01674 9	12/box
	25 mm (1 inch)	21-2940-24	(01) 3 0610586 01675 6	12/box
	32 mm (1 ¼ inch)	21-2941-24	(01) 3 0610586 01676 3	12/box
20 gauge	16 mm (5/8 inch)	21-2946-24	(01) 3 0610586 02323 5	12/box
	19 mm (3/4 inch)	21-2947-24	(01) 3 0610586 01677 0	12/box
	25 mm (1 inch)	21-2948-24	(01) 3 0610586 01678 7	12/box
	32 mm (1 ¼ inch)	21-2949-24	(01) 3 0610586 01679 4	12/box
19 gauge	19 mm (3/4 inch)	21-2955-24	(01) 3 0610586 01680 0	12/box
	25 mm (1 inch)	21-2956-24	(01) 3 0610586 01681 7	12/box
	32 mm (1 ¼ inch)	21-2957-24	(01) 3 0610586 01682 4	12/box
Without Y-site	Length	Reorder No.	GTIN	Unit
22 gauge	16 mm (5/8 inch)	21-2737-24	(01) 3 0610586 02320 4	12/box
	19 mm (3/4 inch)	21-2733-24	(01) 3 0610586 01584 1	12/box
	25 mm (1 inch)	21-2714-24	(01) 3 0610586 01578 0	12/box
	32 mm (1 ¼ inch)	21-2715-24	(01) 3 0610586 01579 7	12/box
20 gauge	16 mm (5/8 inch)	21-2736-24	(01) 3 0610586 02322 8	12/box
	19 mm (3/4 inch)	21-2734-24	(01) 3 0610586 01585 8	12/box
	25 mm (1 inch)	21-2717-24	(01) 3 0610586 01580 3	12/box
	32 mm (1 ¼ inch)	21-2718-24	(01) 3 0610586 01581 0	12/box
19 gauge	19 mm (3/4 inch)	21-2735-24	(01) 3 0610586 01586 5	12/box
	25 mm (1 inch)	21-2720-24	(01) 3 0610586 01582 7	12/box
	32 mm (1 ¼ inch)	21-2721-24	(01) 3 0610586 01583 4	12/box

For more information, visit www.icumed.com or call 866.488.6088

