



Anesthesia IV Consumables

Product Catalog

Infusion technology designed to help provide safe
and efficient delivery of anesthetic medications

icumedical
human connections

Helping to Enhance the Safety and Increase the Efficiency of IV Anesthetic Administration

When it comes to anesthesia delivery, every detail matters. That's why we've designed specialty products to help reduce the risk of anesthesiology-related infections while helping address inefficiencies in intraoperative environments.

From the infection control properties of our clinically differentiated Clave™ needlefree connectors to specialized IV sets that let you streamline the delivery of care, we give you access to everything you need to help safely and efficiently deliver anesthesia medications to your patients.

For additional information about any of the products included in this catalog, as well as our complete portfolio of IV sets, please contact your local ICU Medical Portfolio Sales Specialist.

NanoClave™ Manifolds

Optimize fluid delivery and eliminate retrograde fluid flow with gravity-activated back check valve security.

"Use manifolds with a bonded needleless connector or close by adding a needleless connector rather than a solid cap."²

— Infusion Nurses Society (INS) Standards

NanoClave™ Stopcocks

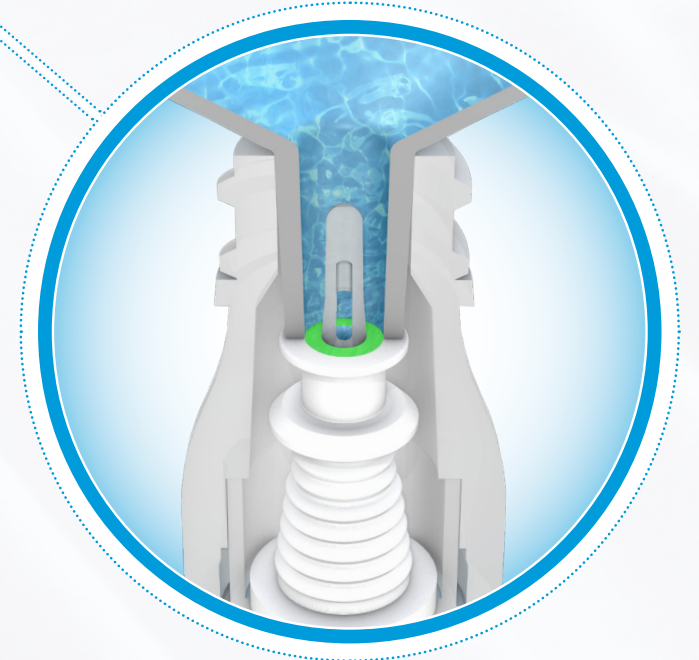
Maintain a needlefree, closed system with automatic self-sealing connector technology.

"Closed catheter access systems are associated with fewer CRBSIs than open systems and should be used preferentially."¹

— The Centers for Disease Control and Prevention (CDC), Guidelines for the Prevention of Intravascular Catheter-Related Infections¹

Clinically differentiated Infection Control Technology

Clave needlefree IV connector technology can help your efforts to reduce infection risks by minimizing entry points for bacteria and maximizing the effectiveness of every flush while helping you comply with CDC and INS guidelines.



Warning: Clave connectors may be incompatible with some male-luer connectors including prefilled glass syringes. To avoid damage to the Clave, syringes, or male luers, which may result in delays of medication administration and possible serious adverse events, users should confirm mating luers or syringes have an internal diameter range of 0.062" to 0.110". Check the internal diameter of the male-luer connector of the mating syringe prior to using it to access the Clave. Products outside of these dimensional tolerances should not be used.



¹ The Centers for Disease Control and Prevention (CDC). Guidelines for the Prevention of Intravascular Catheter-Related Infections. 2011
² Nickel B, Gorski L, Kleidon T, et al. Infusion Therapy Standards of Practice, 9th Edition. J Infus Nurs. 2024 Jan-Feb 01;47(1S Suppl 1):S1-S285. doi: 10.1097/NAN.0000000000000532



Table of Contents

[Needlefree Connectors](#)5

[Disinfection Caps](#).....6

[Single Lumen Extension Sets — High Pressure](#)7

[Multi-Lumen Extension Sets](#)10

[Medication Sets](#).....14

[Medication Sets — Filtered](#)16

[Stopcocks and Manifolds](#)17

[Stopcock and Manifold Extension Sets](#)20

[Administration Sets](#)25

[Secondary Administration Sets](#).....30

[Blood Sets](#).....30

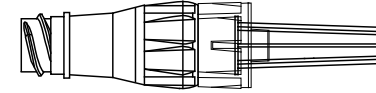
[Blood Sets — Y-Type and Bifuse](#)31

[Burette Sets](#).....32

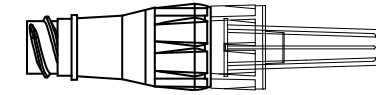
[Peripheral IV Catheters](#)34

Needlefree Connectors

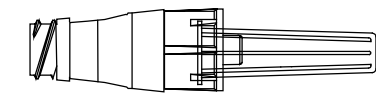
Catalog #	Description	PV (mL)	Case Qty
MC100	MicroClave™ Clear Neutral Connector	0.04	100



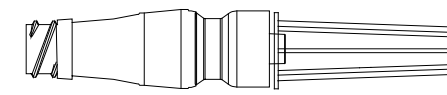
Catalog #	Description	PV (mL)	Case Qty
B3300	Clave™ Neutral Connector	0.04	100



Catalog #	Description	PV (mL)	Case Qty
A1000	NanoClave™ Connector	0.02	100

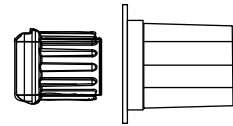


Catalog #	Description	PV (mL)	Case Qty
NC100	Neutron™ Connector	0.06	100



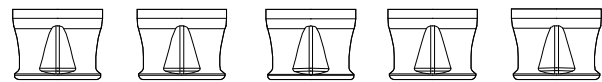
● Included in ICU Medical IV Set Essential portfolio of infusion technologies to help support continuity and standardization
The images shown are for illustration purposes only and may not be an exact representation of the product sizing.

Disinfection Caps



Catalog #	Description	Case Qty
SCXT3-2000 *	SwabCap™, 200-ct. Box	2,000
SCXT3-10-2000 *	SwabPack™, 10-ct. Bag	2,000
SCXT3-2400	SwabPack™, 25-ct. Bag	2,400
SCRC3-10-1600	SwabPack Plus™	1,600
SCXT3-5-2000	SwabSleeve™, 5-ct. Sleeve	2,000

Catalog #	Description	Case Qty
SWTP-5	SwabTip™, 5-ct. Strip	200



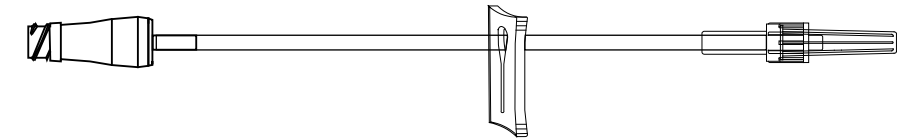
* Included in ICU Medical IV Set Essential portfolio of infusion technologies to help support continuity and standardization
The images shown are for illustration purposes only and may not be an exact representation of the product sizing.æ



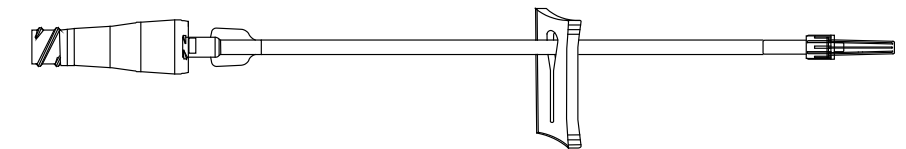
HOME

Single Lumen Extension Sets High Pressure

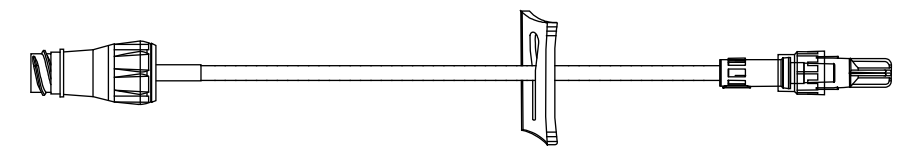
Catalog #	Description	Length (in.)	PV (mL)	Case Qty
MC33086	7" (18 cm) Smallbore Pressure Infusion (400 psig) Ext Set w/MicroClave Clear, Purple Clamp, Luer Lock	7	0.21	50



Catalog #	Description	Length (in.)	PV (mL)	Case Qty
MC33038	7" (18 cm) Approx 0.30 mL, Smallbore Pressure Infusion (400 psig) Ext Set w/Remv MicroClave Clear, Clamp (Purple), Luer Lock, Non-DEHP Tubing	7	0.30	50



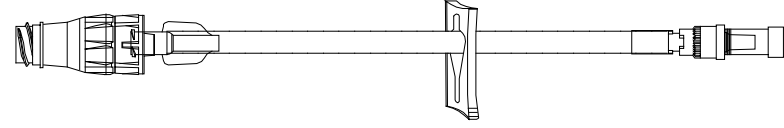
Catalog #	Description	Length (in.)	PV (mL)	Case Qty
MC33150	7" (18 cm) Appx 0.24 mL, Smallbore Pressure Infusion (400 psig) Ext Set w/MicroClave Clear, Purple Clamp, Rotating Luer	7	0.24	50

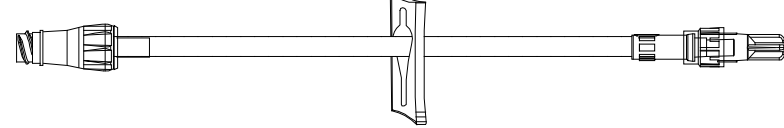


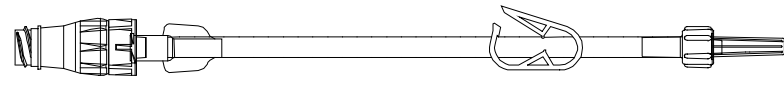
The images shown are for illustration purposes only and may not be an exact representation of the product sizing.æ

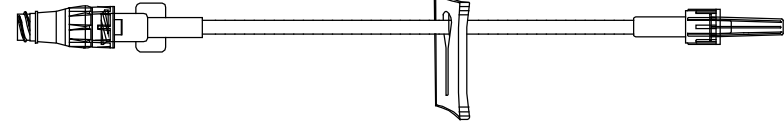


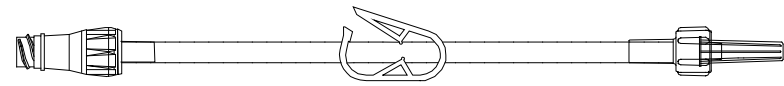
HOME

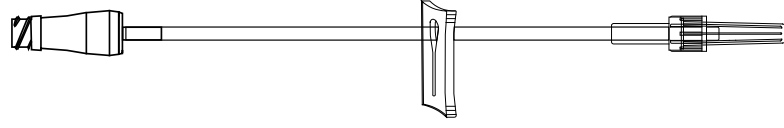
Catalog #	Description	Length (in.)	PV (mL)	Case Qty
MC33056	7" (18 cm) Appx 0.70 mL Pressure Infusion (400 psig) Ext Set w/Remv MicroClave Clear, Purple Clamp, Rotating Luer Case 50	7	0.70	50
				

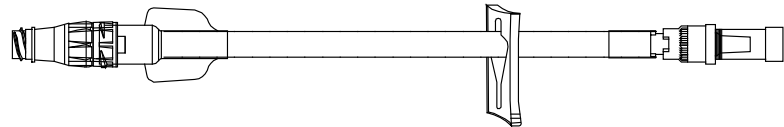
Catalog #	Description	Length (in.)	PV (mL)	Case Qty
MC33131	7" (18 cm) Appx 0.30 mL, Smallbore Pressure Infusion (400 psig) Ext Set w/Remv MicroClave Clear, Purple Clamp, Luer Lock, Non-DEHP Tubing	7	0.43	50
				

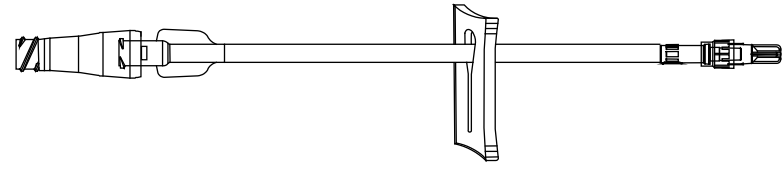
Catalog #	Description	Length (in.)	PV (mL)	Case Qty
MC33327	7" (18 cm) Appx 0.41 mL, Pressure Infusion (400 psig) Ext Set w/Remv MicroClave Clear, Purple Clamp, Luer Lock	7	0.41	50
				

Catalog #	Description	Length (in.)	PV (mL)	Case Qty
MC33038	7" (18 cm) Appx 0.30 mL, Smallbore Pressure Infusion (400 psig) Ext Set w/Remv MicroClave Clear, Purple Clamp, Luer Lock, Non-DEHP Tubing	7	0.30	50
				

Catalog #	Description	Length (in.)	PV (mL)	Case Qty
MC33428	7" (18 cm) Appx 0.39 mL, Pressure Infusion (400 psig) Ext Set w/MicroClave Clear, Purple Clamp, Luer Lock	7	0.39	50
				

Catalog #	Description	Length (in.)	PV (mL)	Case Qty
MC33086	7" (18 cm) Smallbore Pressure Infusion (400 psig) Ext Set w/MicroClave Clear, Purple Clamp, Luer Lock	7	0.21	50
				

Catalog #	Description	Length (in.)	PV (mL)	Case Qty
MC33122	7" (18 cm) Appx 0.51 mL, Pressure Infusion (400 psig) Ext Set w/Remv MicroClave Clear, Purple Clamp, Rotating Luer	7	0.51	50
				

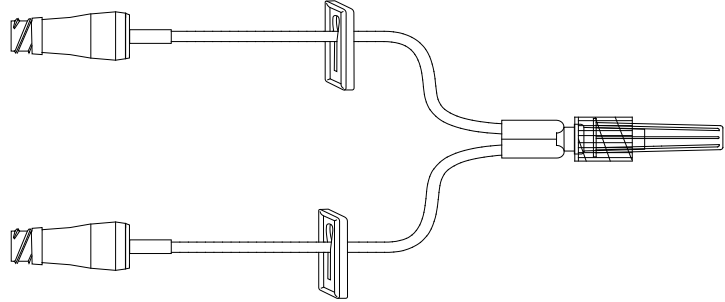
Catalog #	Description	Length (in.)	PV (mL)	Case Qty
MC33213	7" (18 cm) Smallbore Pressure Infusion (400 psig) Ext Set w/Remv MicroClave Clear, Purple Clamp, Rotating Luer	7	0.31	50
				

The images shown are for illustration purposes only and may not be an exact representation of the product sizing.

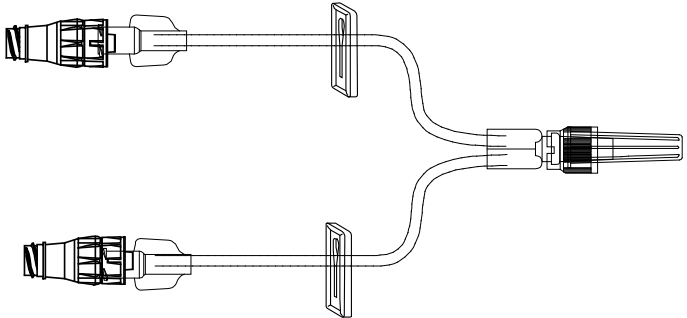
The images shown are for illustration purposes only and may not be an exact representation of the product sizing.

Multi Lumen Extension Sets

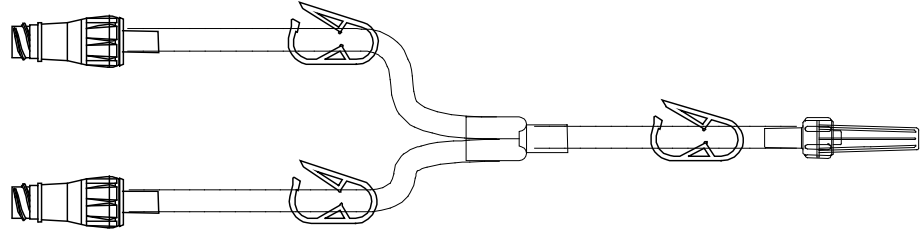
Catalog #	Description	Length (in.)	PV (mL)	Case Qty
MC33315	5" Smallbore Bifuse Ext Set w/2 MicroClave Clear, 2 Clamps, Rotating Luer	5	0.3	50



Catalog #	Description	Length (in.)	PV (mL)	Case Qty
MC33119	4" (10 cm) Smallbore Bifuse Ext Set w/2 Remv MicroClave™ Clear, 2 Clamps, Rotating Luer, Non-DEHP Tubing	4	0.38	50



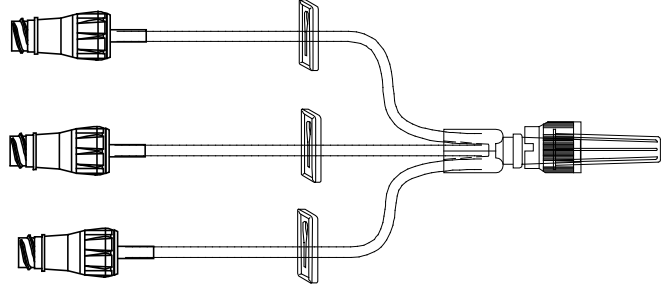
Catalog #	Description	Length (in.)	PV (mL)	Case Qty
MC33717	7.5" (19 cm) Approx 1.1 mL, Bifuse Ext Set w/2 MicroClave™ Clear, 3 Clamps (2 White, 1 Blue), Luer Lock	7.5	1.10	50



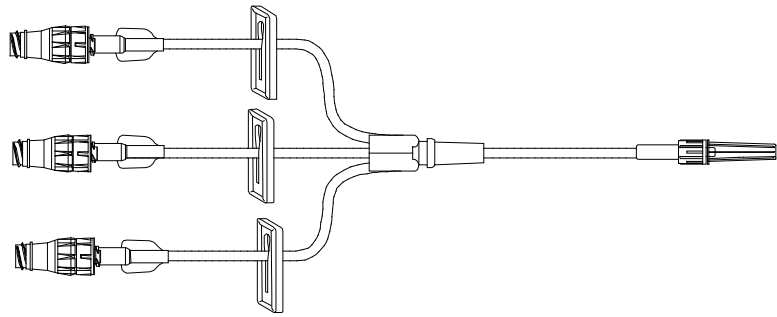
The images shown are for illustration purposes only and may not be an exact representation of the product sizing.



Catalog #	Description	Length (in.)	PV (mL)	Case Qty
MC33098	4" (10 cm) Approx 0.40 mL, Smallbore Trifuse Ext Set w/3 MicroClave Clear, 3 Clamps, Rotating Luer	4	0.40	50



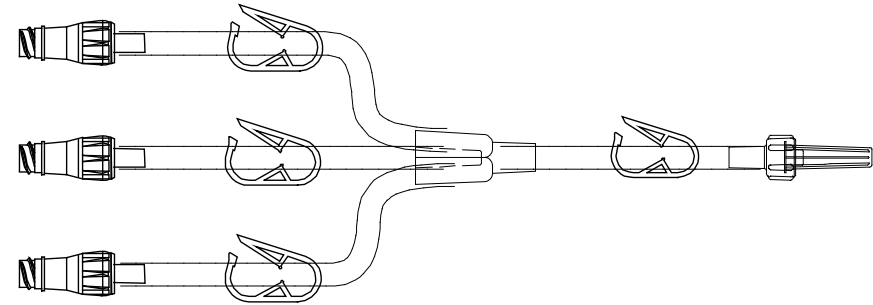
Catalog #	Description	Length (in.)	PV (mL)	Case Qty
MC33409	5" (13 cm) Smallbore Trifuse Ext Set w/3 Remv MicroClave™ Clear, 3 Clamps, Luer Lock	5	0.59	50



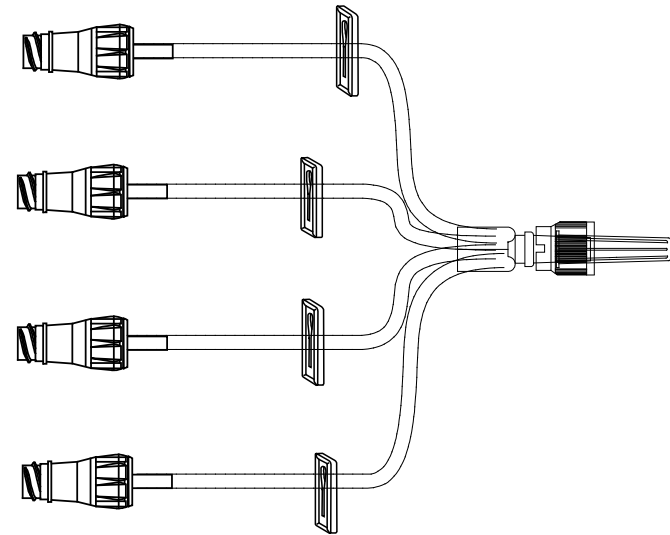
● Included in ICU Medical IV Set Essential portfolio of infusion technologies to help support continuity and standardization. The images shown are for illustration purposes only and may not be an exact representation of the product sizing.



Catalog #	Description	Length (in.)	PV (mL)	Case Qty
MC33722	7.5" (19 cm) Trifuse Ext Set w/3 MicroClave Clear, 4 Clamps (2 White, 1 Blue, 1 Red), Luer Lock	7.5	1.70	50

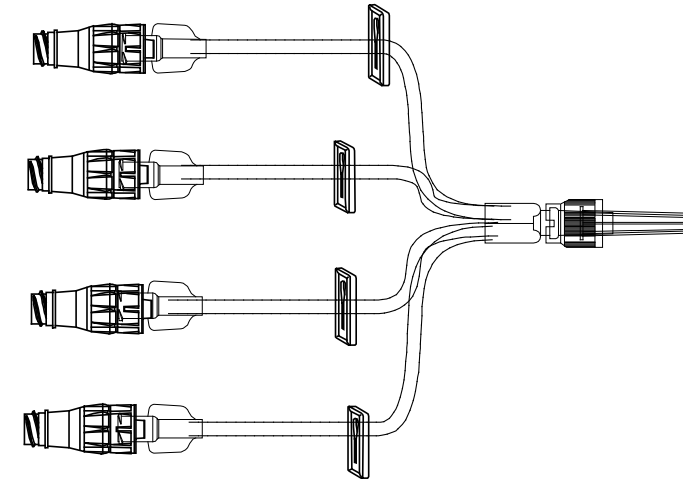


Catalog #	Description	Length (in.)	PV (mL)	Case Qty
MC33294	4" (10cm) Smallbore Quadfuse Ext Set w/4 MicroClave Clear, 4 Clamps, Rotating Luer	4	0.52	50




The images shown are for illustration purposes only and may not be an exact representation of the product sizing.

Catalog #	Description	Length (in.)	PV (mL)	Case Qty
MC33290	4" (10 cm) Smallbore Quadfuse Ext Set w/4 Remv MicroClave Clear, 4 Clamps, Rotating Luer	4	0.65	50

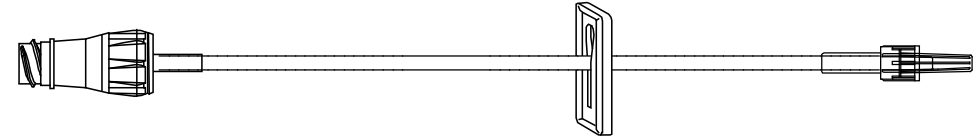


The images shown are for illustration purposes only and may not be an exact representation of the product sizing.

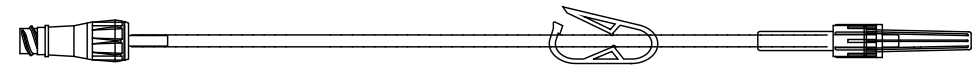
Catalog #	Description	Length (in.)	PV (mL)	Case Qty
MC33352	60" (152 cm) Smallbore Ext Set w/MicroClave Clear, Clamp, Luer Lock	60	0.36	50



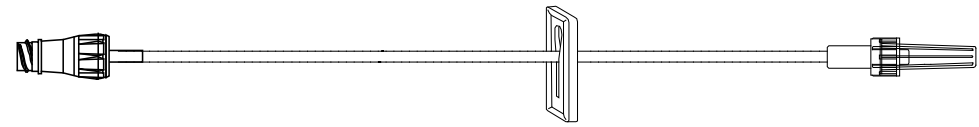
Catalog #	Description	Length (in.)	PV (mL)	Case Qty
MC33383	60" (152 cm) Smallbore Ext Set w/MicroClave Clear, Clamp, Luer Lock	60	0.54	50



Catalog #	Description	Length (in.)	PV (mL)	Case Qty
MC330425	60" (152 cm) Approx 1.0 mL, Smallbore Ext Set w/MicroClave Clear, Clamp (Blue), Luer Lock	60	1.00	50

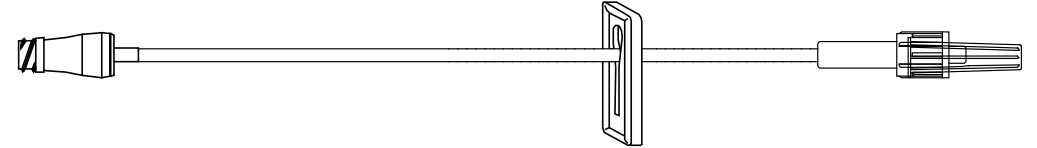


Catalog #	Description	Length (in.)	PV (mL)	Case Qty
MC33932	60" (152 cm) Approx 1.0 mL, Smallbore Ext Set w/MicroClave Clear, Clamp, Luer Lock	60	1.00	50

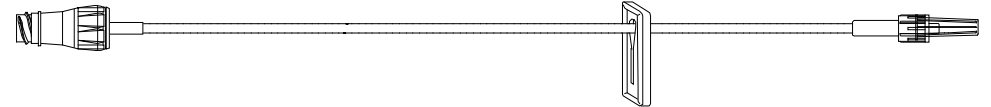


● Included in ICU Medical IV Set Essential portfolio of infusion technologies to help support continuity and standardization
The images shown are for illustration purposes only and may not be an exact representation of the product sizing.

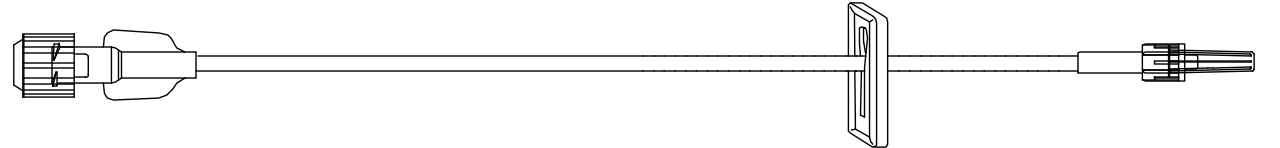
Catalog #	Description	Length (in.)	PV (mL)	Case Qty
B33711	61" (155 cm) Approx 1.0 mL, Smallbore Ext Set w/MicroClave, Clamp, Luer Lock	61	1.00	50



Catalog #	Description	Length (in.)	PV (mL)	Case Qty
MC33514	60" (152 cm) Smallbore Ext Set w/MicroClave Clear, Clamp (Blue), Luer Lock	60	1.70	50



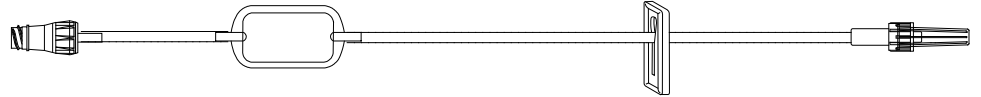
Catalog #	Description	Length (in.)	PV (mL)	Case Qty
B2154	360" (914 cm) Smallbore Ext Set w/Clamp, Luer Lock	360	10.10	50



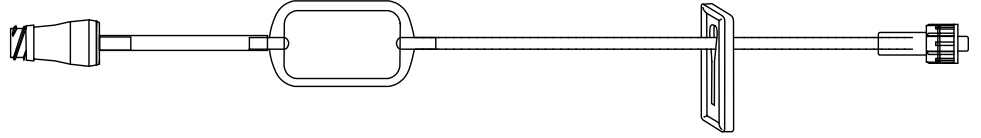
The images shown are for illustration purposes only and may not be an exact representation of the product sizing.

Medication Sets — Filtered

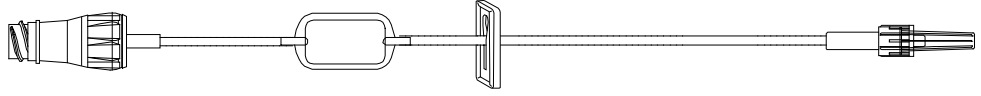
Catalog #	Description	Length (in.)	PV (mL)	Case Qty
MC330472 [●]	60" (152 cm) Approx 1.4 mL, PUR Yellow Smallbore Ext Set w/MicroClave Clear, 1.2-Micron Filter, Clamp, Luer Lock	60	1.40	50



Catalog #	Description	Length (in.)	PV (mL)	Case Qty
MC330174	60" (152 cm) Approx 1.9 mL, Smallbore Ext Set w/MicroClave Clear, 1.2-Micron Filter, 2 Clamps, Luer Lock	60	1.90	50



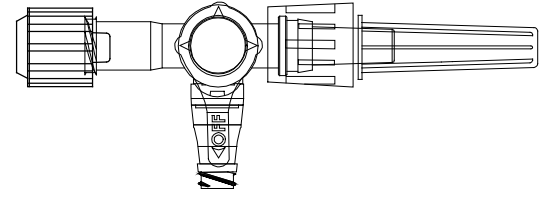
Catalog #	Description	Length (in.)	PV (mL)	Case Qty
MC330077	60" (152 cm) Approx 1.9 mL, Smallbore Ext Set w/MicroClave Clear, 0.2-Micron Filter, Clamp, Luer Lock	60	1.90	50



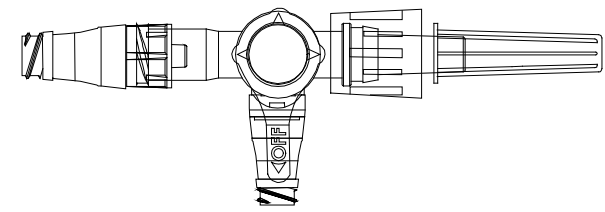
[●] Included in ICU Medical IV Set Essential portfolio of infusion technologies to help support continuity and standardization. The images shown are for illustration purposes only and may not be an exact representation of the product sizing.

Stopcocks and Manifolds

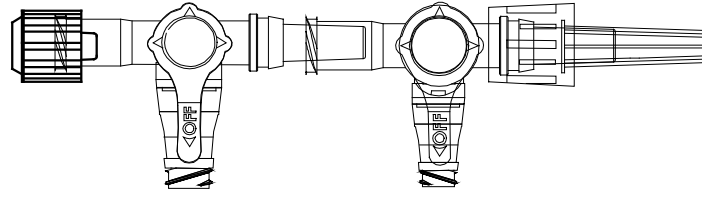
Catalog #	Description	PV (mL)	Case Qty
AC100	NanoClave Stopcock	0.30	50



Catalog #	Description	PV (mL)	Case Qty
AC104 [■]	NanoClave Stopcock w/NanoClave	0.32	50

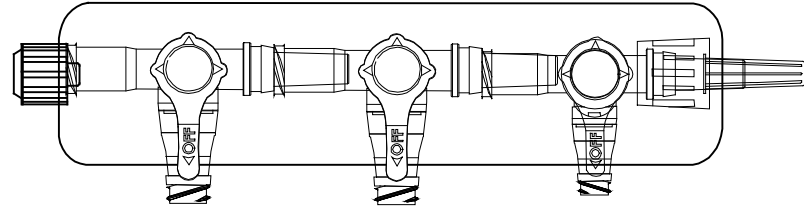


Catalog #	Description	PV (mL)	Case Qty
AC200	2 Gang 4-Way NanoClave Stopcock Manifold w/Rotating Luer	0.55	50

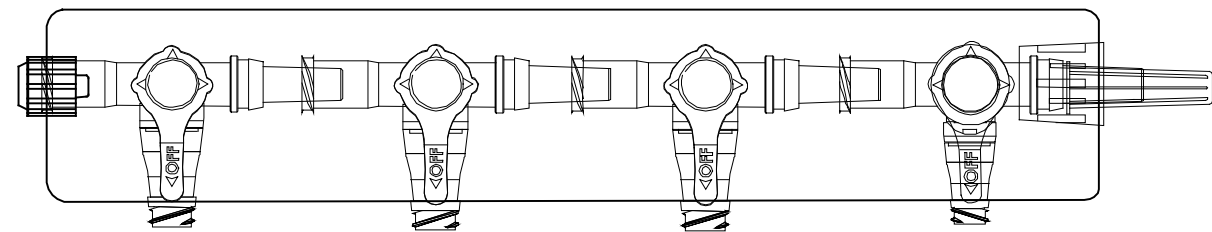


[■] May require longer leadtime. The images shown are for illustration purposes only and may not be an exact representation of the product sizing.

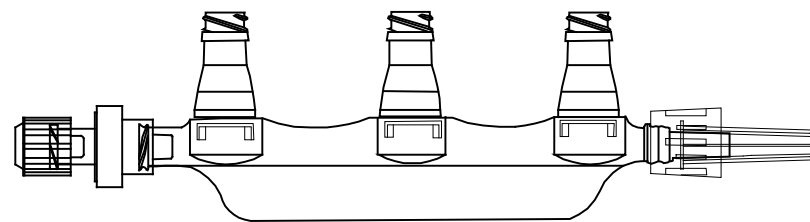
Catalog #	Description	PV (mL)	Case Qty
AC218	Approx 0.82 mL, 3 Gang 4-Way NanoClave Stopcock w/Baseplate, Rotating Luer	0.82	50



Catalog #	Description	PV (mL)	Case Qty
AC401	Approx 1.1 mL, 4 Gang 4-Way NanoClave Stopcock w/Baseplate, Rotating Luer	1.10	50



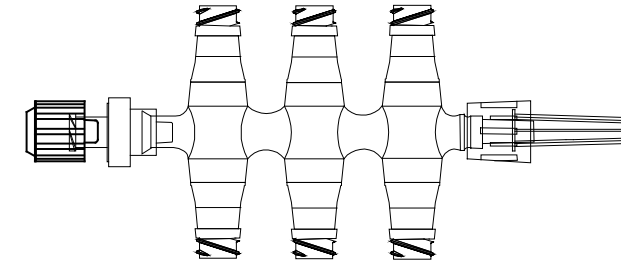
Catalog #	Description	PV (mL)	Case Qty
AM3016	3-Port NanoClave Manifold w/Check Valve, Rotating Luer	0.88	50



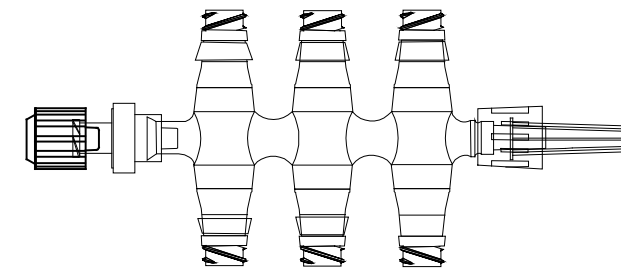
The images shown are for illustration purposes only and may not be an exact representation of the product sizing.



Catalog #	Description	PV (mL)	Case Qty
AM6099	6-Port NanoClave Manifold, Check Valve, Rotating Luer	0.75	50



Catalog #	Description	PV (mL)	Case Qty
AM6001	6-Port NanoClave Manifold (Glow, Red, Blue, Purple, Yellow Rings), Check Valve, Rotating Luer	0.75	50

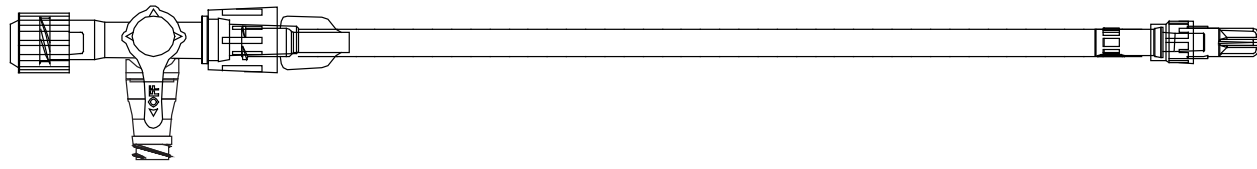


The images shown are for illustration purposes only and may not be an exact representation of the product sizing.

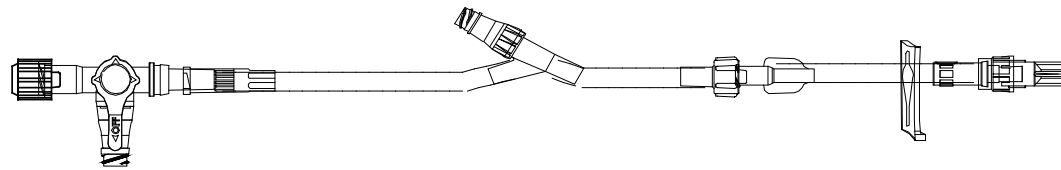


Stopcock and Manifold Extension Sets

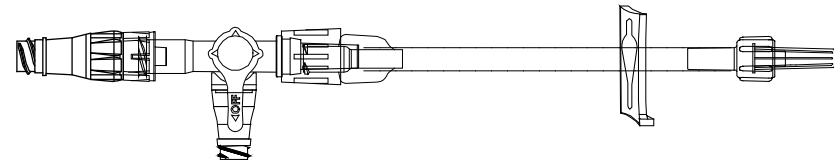
Catalog #	Description	Length (in.)	PV (mL)	Case Qty
SC113	42" (107 cm) Ext Set w/Remv Clave™ Stopcock, Rotating Luer	42	7.90	50



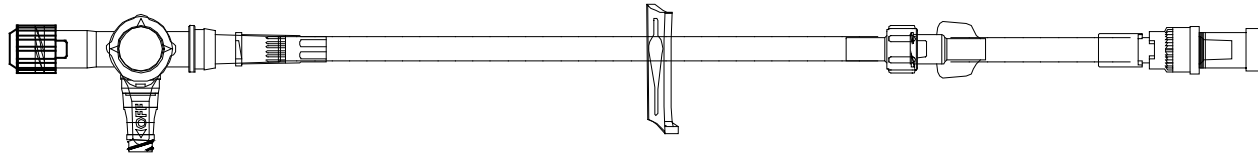
Catalog #	Description	Length (in.)	PV (mL)	Case Qty
AC132	42" (107 cm) Ext Set w/NanoClave 4-Way Stopcock, MicroClave Clear, Clamp, Rotating Luer, 1 Ext	41.987	5.60	50



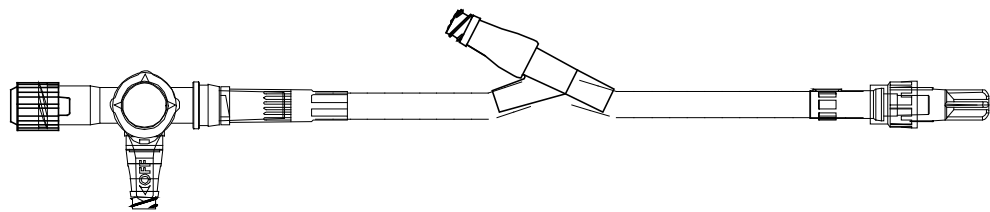
Catalog #	Description	Length (in.)	PV (mL)	Case Qty
SC104 [■]	10" (25 cm) Ext Set w/Remv 4-Way Clave Stopcock w/Clave, Clamp, Luer Lock	8.914	1.10	50



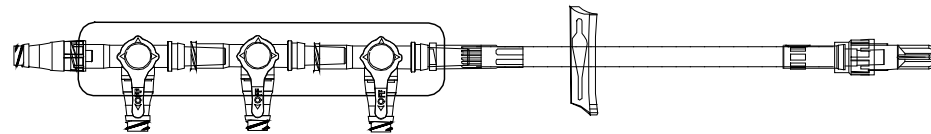
Catalog #	Description	Length (in.)	PV (mL)	Case Qty
AC216	54" (137 cm) Ext Set w/4-Way Clave Stopcock, Clamp, Rotating Luer w/Hydrophobic Cap, 1 Ext	54.32	7.20	50



Catalog #	Description	Length (in.)	PV (mL)	Case Qty
SC119	22" 56 cm 56 CM Ext Set w/4-Way Clave Stopcock, Clave, Rotating Luer	22	2.60	50



Catalog #	Description	Length (in.)	PV (mL)	Case Qty
AC315	12" (30 cm) Approx 1.6 mL, Ext Set w/3 Gang NanoClave Stopcock w/NanoClave, Spin Luer	12	1.60	25



■ May require longer leadtime
The images shown are for illustration purposes only and may not be an exact representation of the product sizing.



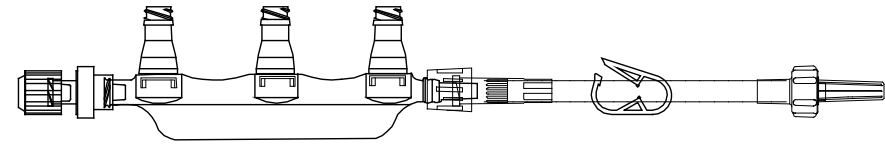
HOME

■ May require longer leadtime
The images shown are for illustration purposes only and may not be an exact representation of the product sizing.

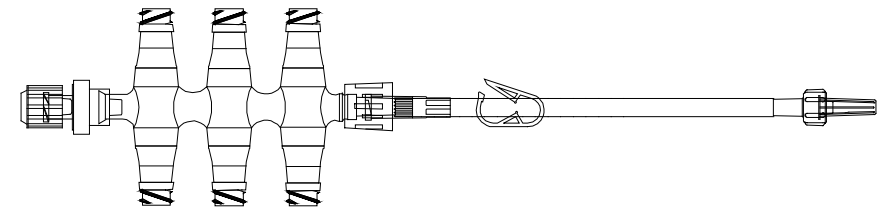


HOME

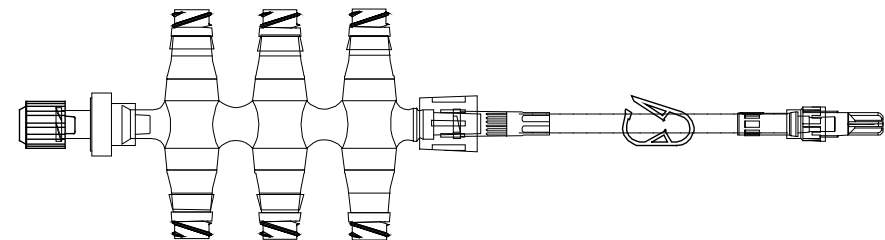
Catalog #	Description	Length (in.)	PV (mL)	Case Qty
AM3090	10" (25 cm) Ext Set w/3-Port NanoClave Manifold, Check Valve, Clamp, Luer Lock	10.045	1.50	50



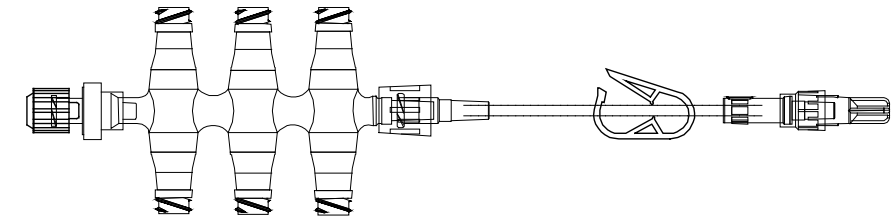
Catalog #	Description	Length (in.)	PV (mL)	Case Qty
AM6090	10" (28 cm) Ext Set w/6-Port NanoClave Manifold, Check Valve, Clamp, Luer Lock	10	1.50	50



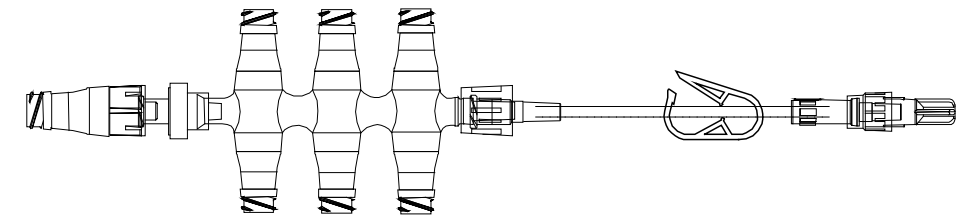
Catalog #	Description	Length (in.)	PV (mL)	Case Qty
AM6091	10" (25 cm) Ext Set w/6-Port NanoClave Manifold (Orange, Red, Blue, Purple, Yellow Rings), Check Valve, Clamp, Rotating Luer	10	1.50	50



Catalog #	Description	Length (in.)	PV (mL)	Case Qty
AM6109	10" (25 cm) Smallbore Ext Set w/6-Port NanoClave Manifold, Check Valve, Clamp, Rotating Luer	10	0.95	50



Catalog #	Description	Length (in.)	PV (mL)	Case Qty
AM6127	11" (28 cm) Smallbore Ext Set w/NanoClave, 6-Port NanoClave™ Manifold, Check Valve, Clamp, Rotating Luer	11	0.97	50

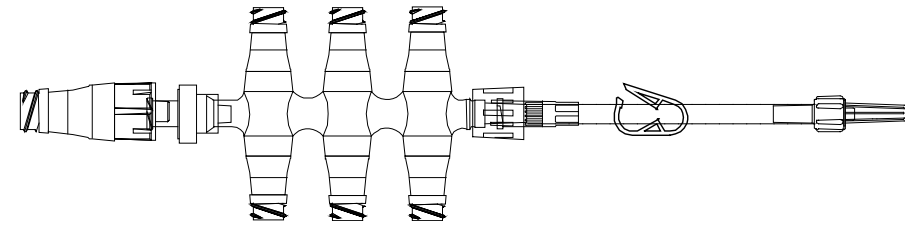


● Included in ICU Medical IV Set Essential portfolio of infusion technologies to help support continuity and standardization. The images shown are for illustration purposes only and may not be an exact representation of the product sizing.

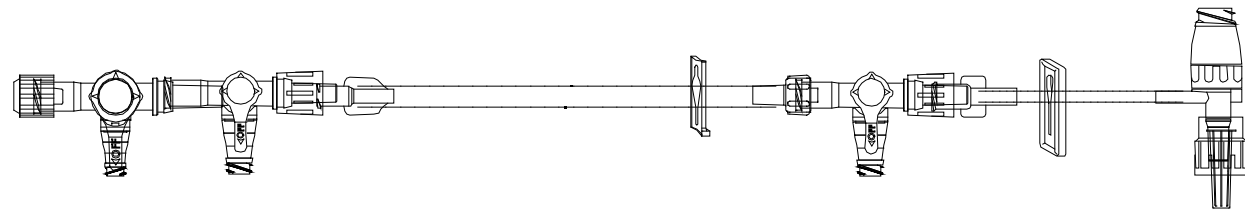
● Included in ICU Medical IV Set Essential portfolio of infusion technologies to help support continuity and standardization. The images shown are for illustration purposes only and may not be an exact representation of the product sizing.

Administration Sets

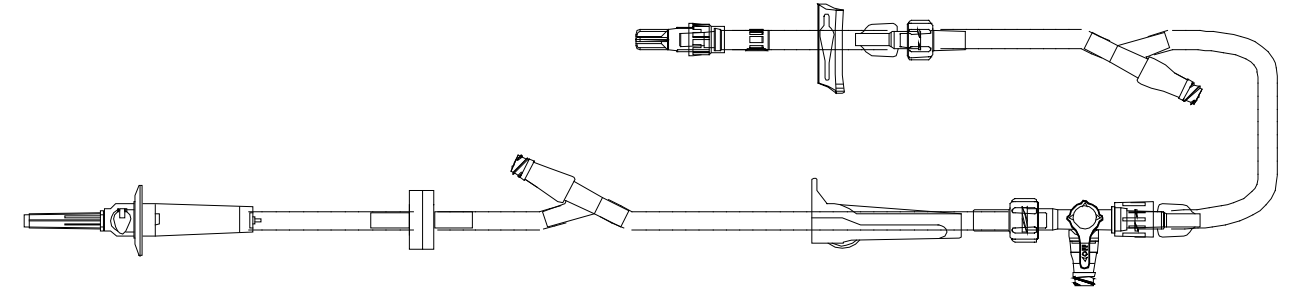
Catalog #	Description	Length (in.)	PV (mL)	Case Qty
AM6143	11" (28 cm) Ext Set w/6-Port NanoClave Manifold, Check Valve, NanoClave™, Clamp, Luer Lock	10.932	1.50	50



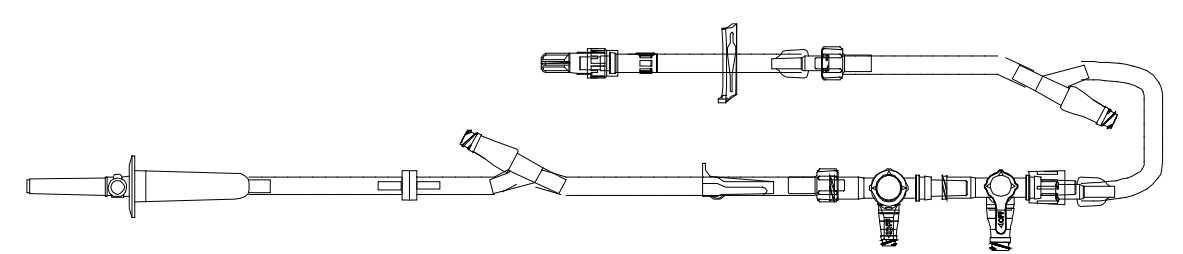
Catalog #	Description	Length (in.)	PV (mL)	Case Qty
SC124	30" (76 cm) Approx 3.6 mL, Ext Set w/Remv 2 Gang Clave Stopcock, Remv Clave Stopcock, NanoClave T-Connector, Rotating Luer, 1 Ext	29.314	3.63	50



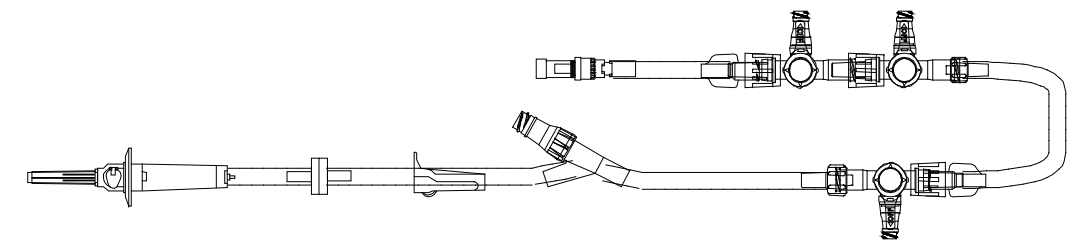
Catalog #	Description	Length (in.)	PV (mL)	Case Qty
SC179 [■]	134" (340 cm) Approx 16.8 mL, 15-Drop Primary Set w/2 MicroClave, Remv 4-Way Clave Stopcock, Rotating Luer, 2 Exts	134.053	16.80	50



Catalog #	Description	Length (in.)	PV (mL)	Case Qty
B90019	128" (325 cm) Approx 16.6 mL, 15-Drop Primary Set w/2 MicroClave, Remv 2 Gang 4-Way Clave Stopcock, Rotating Luer, 2 Ext	128	16.60	50



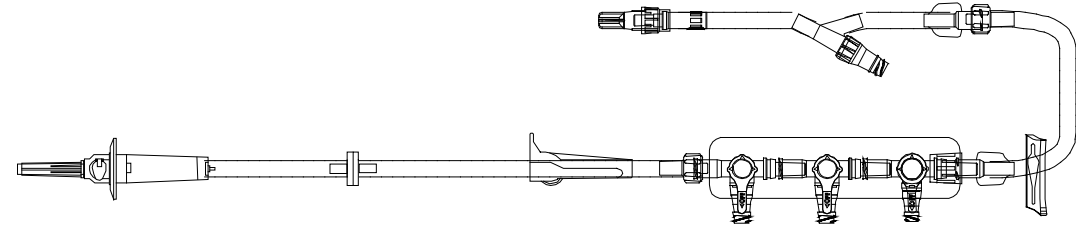
Catalog #	Description	Length (in.)	PV (mL)	Case Qty
AC233	113" (287 cm) Approx 14.7 mL, 10-Drop Admin Set w/MicroClave Clear, Remv 4-Way NanoClave Stopcock, Remv 2-Gang 4-Way NanoClave Stopcocks, Spin Luer w/ Filter Cap, 2 Ext	112.956	14.70	50



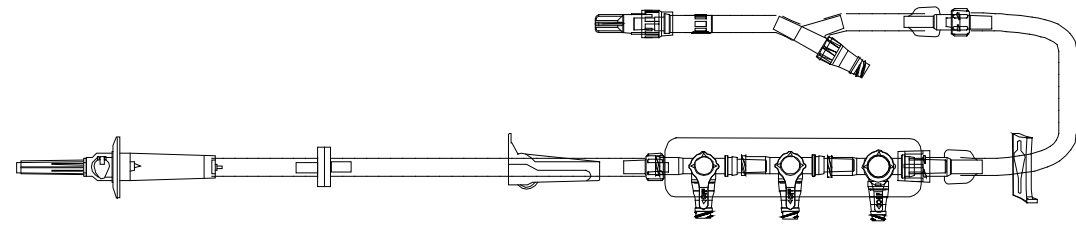
● Included in ICU Medical IV Set Essential portfolio of infusion technologies to help support continuity and standardization. The images shown are for illustration purposes only and may not be an exact representation of the product sizing.

■ May require longer leadtime. The images shown are for illustration purposes only and may not be an exact representation of the product sizing.

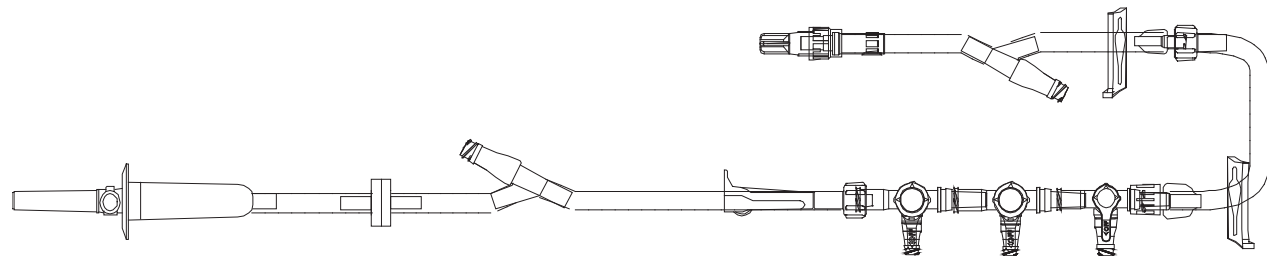
Catalog #	Description	Length (in.)	PV (mL)	Case Qty
AC308	103" (262 cm) Approx 13.4 mL, 10-Drop Primary Set w/MicroClave Clear, Remv 3 Gang 4-Way NanoClave™ Stopcock w/Baseplate, Rotating Luer, 2 Ext	103	13.40	50



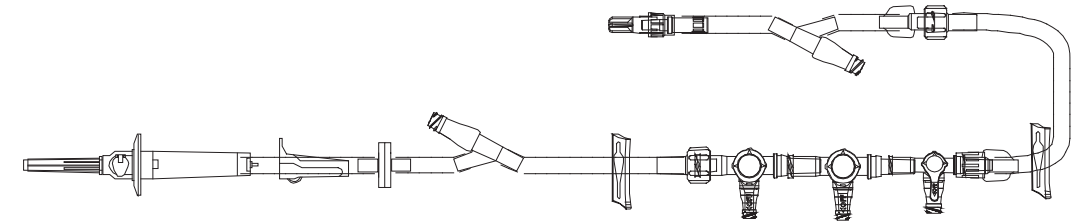
Catalog #	Description	Length (in.)	PV (mL)	Case Qty
AC309	103" (262 cm) Approx 13.4 mL, 60-Drop Primary Set w/MicroClave Clear, Remv 3 Gang 4-Way NanoClave Stopcock w/Baseplate, Rotating Luer, 2 Ext	102.599	13.40	50



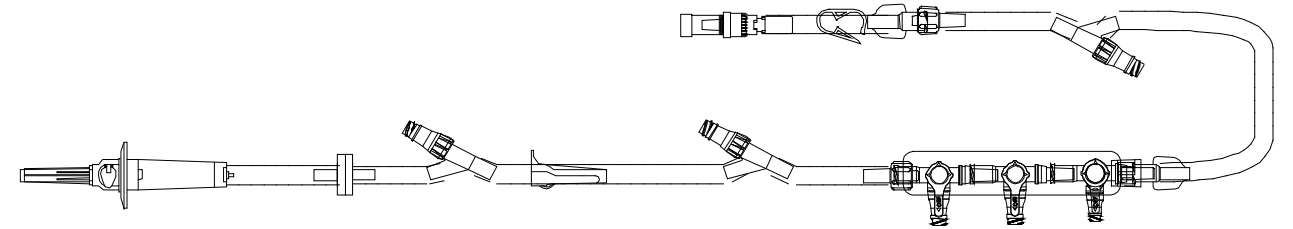
Catalog #	Description	Length (in.)	PV (mL)	Case Qty
SC158	148" (376 cm) 15-Drop Primary Set w/2 Clave, Remv 3 Gang 4-Way Clave Stopcock, Rotating Luer, 2 Ext	148	18.80	25



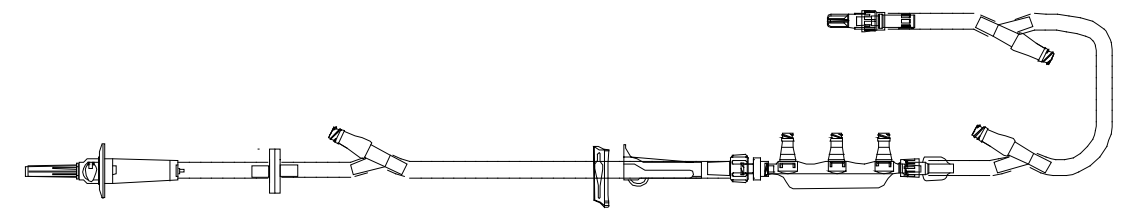
Catalog #	Description	Length (in.)	PV (mL)	Case Qty
SC171	112" (284 cm) Approx 14.6 mL, 15-Drop Primary Set w/2 MicroClave, Remv 3 Gang 4-Way Clave Stopcock, Rotating Luer, 2 Ext	112	14.6	25



Catalog #	Description	Length (in.)	PV (mL)	Case Qty
AC236	132" (335 cm) Approx 17.4 mL, 20-Drop Admin Set w/3 Clave Clear, Remv 3-Gang NanoClave Stopcock w/Baseplate, Spin Luer w/Filter Cap, 2 Ext	132	17.40	25



Catalog #	Description	Length (in.)	PV (mL)	Case Qty
AM3011	114" (290 cm) 10-Drop Primary Set w/3 MicroClave, Remv 3-Port NanoClave Manifold w/Check Valve, Rotating Luer, 1 Ext	114	15.1	25



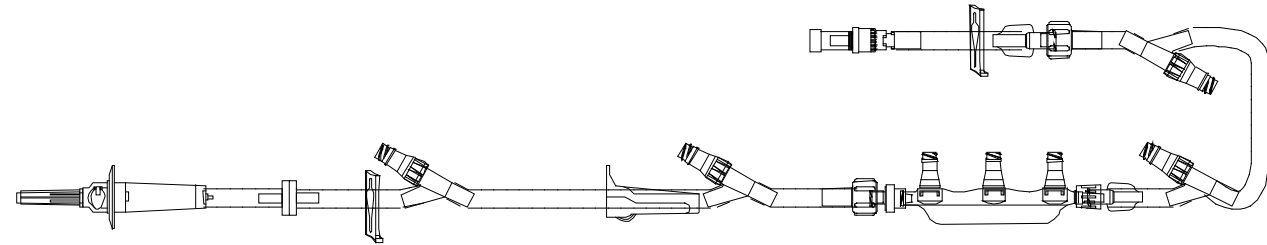
● Included in ICU Medical IV Set Essential portfolio of infusion technologies to help support continuity and standardization
The images shown are for illustration purposes only and may not be an exact representation of the product sizing.



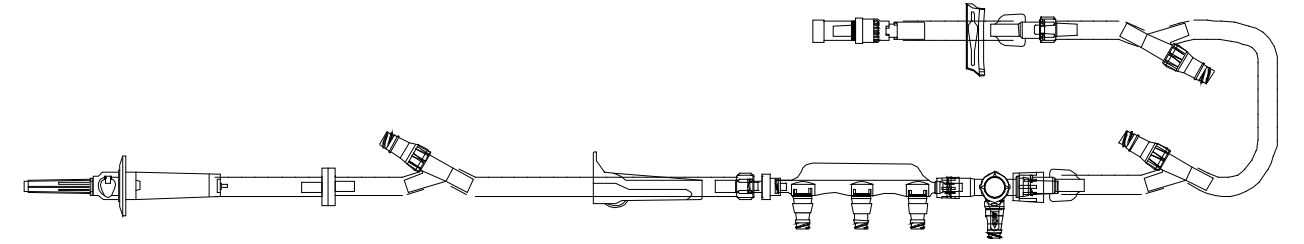
The images shown are for illustration purposes only and may not be an exact representation of the product sizing.



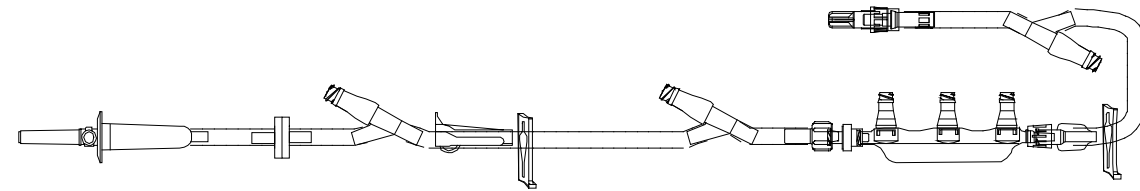
Catalog #	Description	Length (in.)	PV (mL)	Case Qty
AM3021	142" (361 cm) 15-Drop Primary Set w/4 MicroClave Clear, Remv 3-Port NanoClave Manifold w/Check Valve, Rotating Luer w/Filter Cap, 2 Exts	142	18.80	25



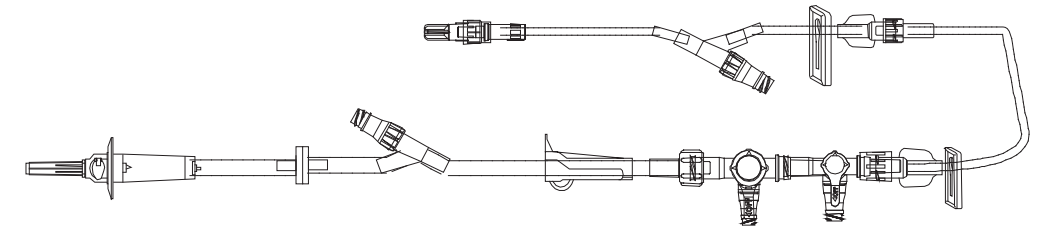
Catalog #	Description	Length (in.)	PV (mL)	Case Qty
AM3111	142" (361 cm) 15-Drop Primary Set w/3 MicroClave Clear, Remv 3-Port NanoClave Manifold (Red, Yellow, Blue Rings) w/NanoClave 4-Way Stopcock, Rotating Luer, 2 Ext	142	18.80	25



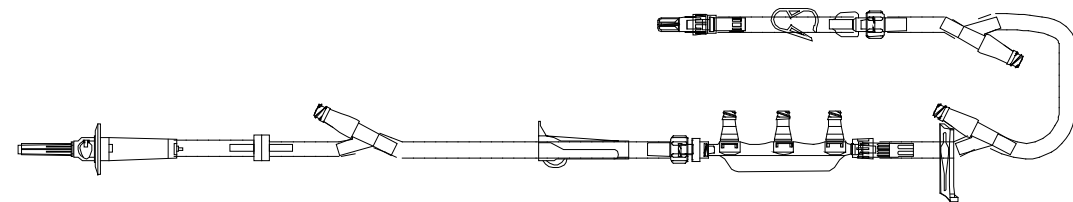
Catalog #	Description	Length (in.)	PV (mL)	Case Qty
AM3022	112" (284 cm) 15-Drop Primary Set w/3 MicroClave, Remv 3-Port NanoClave Manifold, Check Valve, Rotating Luer, 1 Ext	112	14.80	25



Catalog #	Description	Length (in.)	PV (mL)	Case Qty
SC164	98" (249 cm) 60-Drop Primary Set w/2 Clave™, Remv 2 Gang 4-Way Clave Stopcock, Rotating Luer, 2 Smallbore Ext	98	8.40	25



Catalog #	Description	Length (in.)	PV (mL)	Case Qty
AM3009	123" (312 cm) 10-Drop Primary Set w/3 MicroClave, 3-Port NanoClave Manifold, Rotating Luer, 2 Ext	123	16.10	25



The images shown are for illustration purposes only and may not be an exact representation of the product sizing.

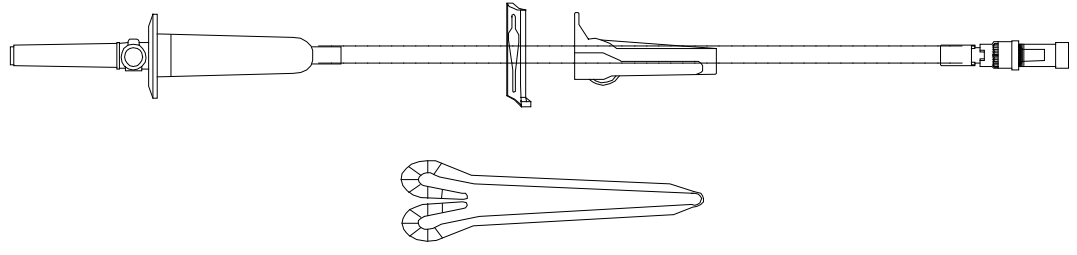


The images shown are for illustration purposes only and may not be an exact representation of the product sizing.




Secondary Administration Sets

Catalog #	Description	Length (in.)	PV (mL)	Case Qty
SF3258-15H	Secondary Set 34" with IV Set Hanger, Secure Lock	34	4.00	50

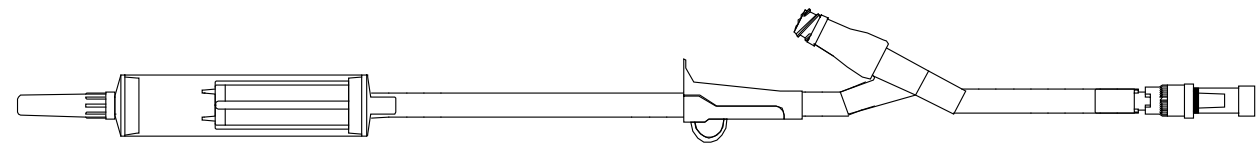


Blood Sets

Catalog #	Description	Length (in.)	PV (mL)	Case Qty
B31753	27" (69 cm) 10-Drop Blood Set w/200 Micron Filter, Rotating Luer	27	3.70	25



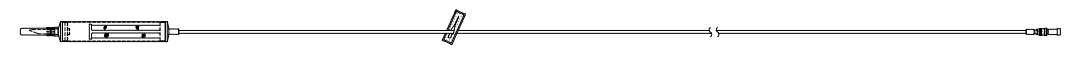
Catalog #	Description	Length (in.)	PV (mL)	Case Qty
B9397	80" (203 cm) 10-Drop Blood Set w/200 Micron Filter, Clave, Rotating Luer w/Filter Cap	80	13.93	25



The images shown are for illustration purposes only and may not be an exact representation of the product sizing.

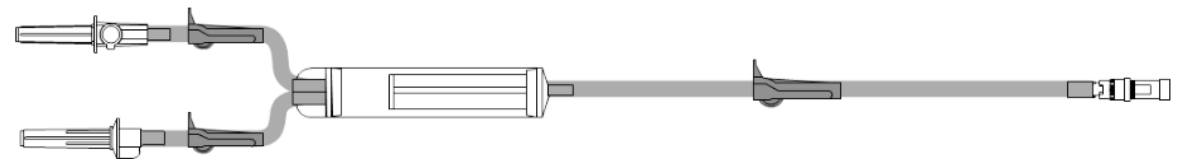


Catalog #	Description	Length (in.)	PV (mL)	Case Qty
14200	Secondary Blood Set, 200 Micron Filter, Secure Lock, 36 Inch	36	5.68	48

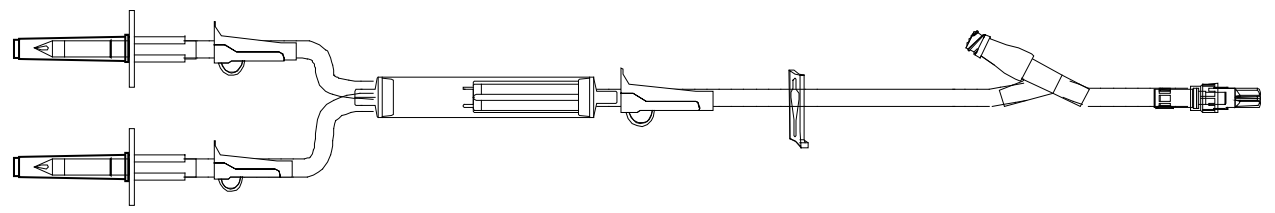


Blood Sets – Y Type and Bifuse

Catalog #	Description	Length (in.)	PV (mL)	Case Qty
14205-28	Primary Y-Type Blood Set, 200 Micron Filter, Secure Lock, 80 Inch	80	15.6	48



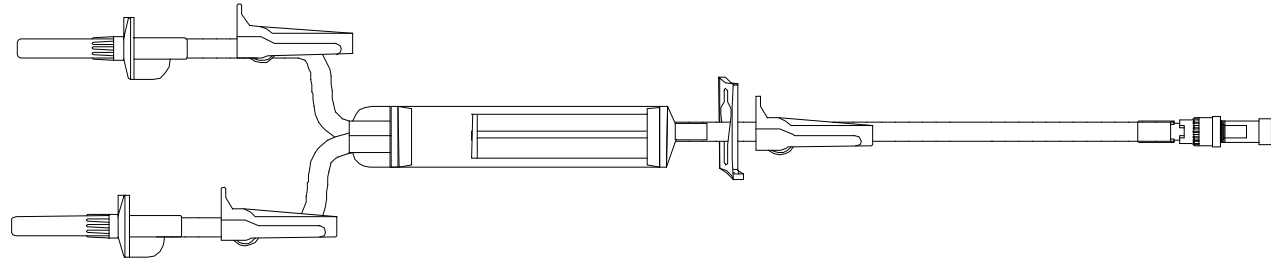
Catalog #	Description	Length (in.)	PV (mL)	Case Qty
B9211	84" (213 cm) Y-Type 10-Drop Blood Set, 200 Micron Filter, Clave, Rotating Luer	84	16.90	25



The images shown are for illustration purposes only and may not be an exact representation of the product sizing.

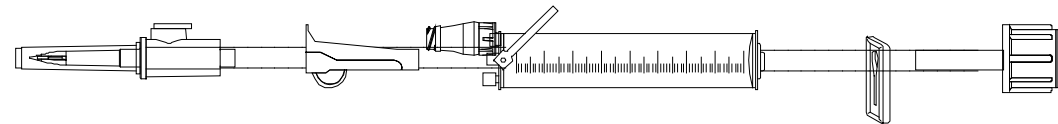


Catalog #	Description	Length (in.)	PV (mL)	Case Qty
14208	Primary Y-Type Blood Set, 200 Micron Filter, Secure	105	15.8	48



Burette Sets

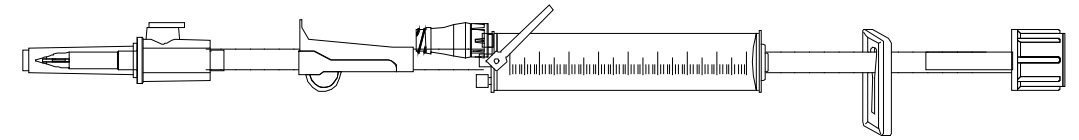
Catalog #	Description	Length (in.)	PV (mL)	Case Qty
B9236	23" (58 cm) Add-On 150 mL Burette Set (No Shut-Off Valve), MicroClave, Clamp	23	4.00	25



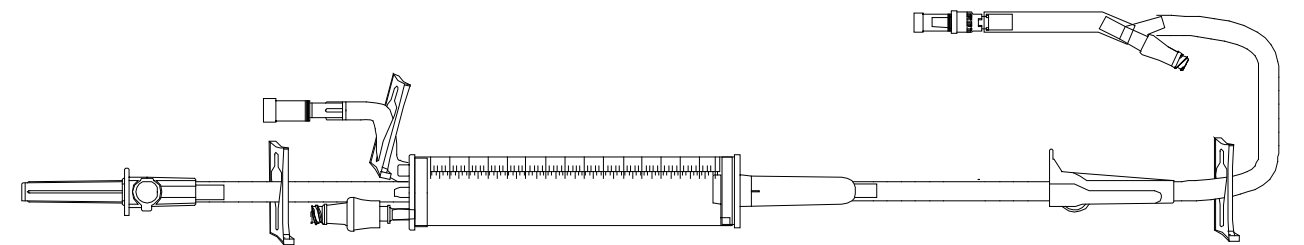
The images shown are for illustration purposes only and may not be an exact representation of the product sizing.



Catalog #	Description	Length (in.)	PV (mL)	Case Qty
B9213 [■]	23" (58 cm) 150 mL Burette Set (w/Shut-Off Valve), MicroClave, Clamp	21	4.00	25

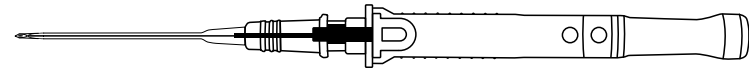


Catalog #	Description	Length (in.)	PV (mL)	Case Qty
14270	Primary Microdrip 150 mL Burette Set with Float Valve, Clave Additive Port, Clave Y-Site, Secure Lock, 78 Inch	78	10.4	48



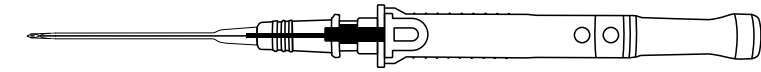
[■] May require longer leadtime
The images shown are for illustration purposes only and may not be an exact representation of the product sizing.





Item	Description	Gauge	Length (in.)	Material	Winged
SP125-26-14T	SuperCath® 26G X 0.56 in. Active Straight	26	0.56	PUR	N
SP125-26-14-WT	SuperCath® 26G X 0.56 in. Active Straight Winged	26	0.56	PUR	Y
SP125-26-19T	SuperCath® 26G X 0.75 in. Active Straight	26	0.75	PUR	N
SP125-24-14T	SuperCath® 24G X 0.56 in. Active Straight	24	0.56	PUR	N
SP125-24-14-WT	SuperCath® 24G X 0.56 in. Active Straight Winged	24	0.56	PUR	Y
SP125-24-19T	SuperCath® 24G X 0.75 in. Active Straight	24	0.75	PUR	N
SP125-24-19-WT	SuperCath® 24G X 0.75 in. Active Straight Winged	24	0.75	PUR	Y
SP120-24-19T	SuperCath® 24G X 0.75 in. Active Straight Blood Containment	24	0.75	PUR	N
SP120-24-19-WT	SuperCath® 24G X 0.75 in. Active Straight Blood Containment Winged	24	0.75	PUR	Y
SP120-22-25T	SuperCath® 22G X 1.00 in. Active Straight Blood Containment	22	1	PUR	N
SP120-22-25-WT	SuperCath® 22G X 1.00 in. Active Straight Blood Containment Winged	22	1	PUR	Y
SP120-22-31T	SuperCath® 22G X 1.25 in. Active Straight Blood Containment	22	1.25	PUR	N
SP120-22-31-WT	SuperCath® 22G X 1.25 in. Active Straight Blood Containment Winged	22	1.25	PUR	Y
SP120-20-25T	SuperCath® 20G X 1.00 in. Active Straight Blood Containment	20	1	PUR	N
SP120-20-25-WT	SuperCath® 20G X 1.00 in. Active Straight Blood Containment Winged	20	1	PUR	Y
SP120-20-31T	SuperCath® 20G X 1.25 in. Active Straight Blood Containment	20	1.25	PUR	N
SP120-20-31-WT	SuperCath® 20G X 1.25 in. Active Straight Blood Containment Winged	20	1.25	PUR	Y

The images shown are for illustration purposes only and may not be an exact representation of the product sizing.



Item	Description	Gauge	Length (in.)	Material	Winged
SP120-20-50T	SuperCath® 20G X 2.00 in. Active Straight Blood Containment	20	2	PUR	N
SP120-20-50-WT	SuperCath® 20G X 2.00 in. Active Straight Blood Containment Winged	20	2	PUR	Y
SP120-18-31T	SuperCath® 18G X 1.25 in. Active Straight Blood Containment	18	1.25	PUR	N
SP120-18-31-WT	SuperCath® 18G X 1.25 in. Active Straight Blood Containment Winged	18	1.25	PUR	Y
SP120-18-50T	SuperCath® 18G X 2.00 in. Active Straight Blood Containment	18	2	PUR	N
SP120-18-50-WT	SuperCath® 18G X 2.00 in. Active Straight Blood Containment Winged	18	2	PUR	Y
SP120-16-31T	SuperCath® 16G X 1.25 in. Active Straight Blood Containment	16	1.25	PUR	N
SP120-16-31-WT	SuperCath® 16G X 1.25 in. Active Straight Blood Containment Winged	16	1.25	PUR	Y
SP125-16-31T	SuperCath® 16G X 1.25 in. Active Straight	16	1.25	PUR	N
SP125-16-31-WT	SuperCath® 16G X 1.25 in. Active Straight Winged	16	1.25	PUR	Y
SP125-14-31T	SuperCath® 14G X 1.25 in. Active Straight	14	1.25	PUR	N
SP125-14-31-WT	SuperCath® 14G X 1.25 in. Active Straight Winged	14	1.25	PUR	Y

SuperCath is a registered trademark of MediKit Co., Ltd.
The images shown are for illustration purposes only and may not be an exact representation of the product sizing.

A Broad Portfolio for Your Patients

Your patients need specialized care, and clinicians like you need innovative infusion systems, consumables, and solutions to help deliver it. ICU Medical offers a broad portfolio designed to help support your anesthesia workflows and enhance the delivery of patient care.

Infusion pumps and software

Infusion systems including syringe pumps, large-volume pumps, pain and ambulatory pumps, and infusion safety software



Infusion consumables

IV sets featuring the infection control properties of advanced Clave™ needlefree connectors



Vascular access

Vascular access tools including blood collection technology, small-gauge catheters, hypodermics, and implantable ports



IV solutions

IV solutions for irrigation, infusion, and parenteral nutrition, with non-DEHP/non-PVC options and supported by robust manufacturing capacity, product quality, warehousing, and distribution capabilities



Airway Management

A broad portfolio of tracheostomy, respiratory, breathing circuits, ventilation, and specialty airway products.



icumedical
human connections